

A complex network graphic consisting of numerous small grey dots connected by thin grey lines, forming a dense, interconnected web that spans across the middle of the page.

**COMPANY
PROFILE**



Heat exchanger's world

MAUS ITALIA SPA IS THE WORLD LEADING MANUFACTURER OF TOOLS AND MACHINES FOR THE PRODUCTION AND MAINTENANCE OF HEAT EXCHANGERS

A winning story since 1961

The Beginning

Domenico Franco Agostino was born in Messina in 1917. Aged only 14, he decided to seek his fortune in the North, his destination being Milan. Aged 28, after serving throughout his youth for seven long years during World War II, he began his career determined to achieve his dream of setting up his own business. During the war years, Franco met by correspondence Luisa Capoferri, a girl from Crema soon to become Mrs Agostino, who would be one of the pillars of the future business.

His business card read: 'Franco Agostino Industrial Dealer'. The two made contact with manufacturers of welding machines, abrasives, thermometers and pressure gauges, an industry Franco was familiar with thanks to his apprenticeship in Milan. In 1959, by pure coincidence Franco became the Italian representative of Albert Otto, a German manufacturer of tube expanders.

In 1960, Albert Otto's owners - elderly and childless - put forth to the Agostino family to manufacture the German product directly in Italy: in 1961 Franco Agostino's Albert Otto Italiana was founded and in 1972, after purchasing an area of 10,000 square metres in the municipality of Bagnolo Cremasco, Maus Italia Sas was established.



The Growth

In 1976 his son Stefano, a mechanical engineer, joined the company. Together with his father, he studied products, introduced new machinery onto the market and filed the first patents by Maus Italia. Stefano proceeded with determination: he believed in technological innovation and market diversification achieved through a widespread sales organisation allowing the brand 'Maus Italia' to expand all over the world.

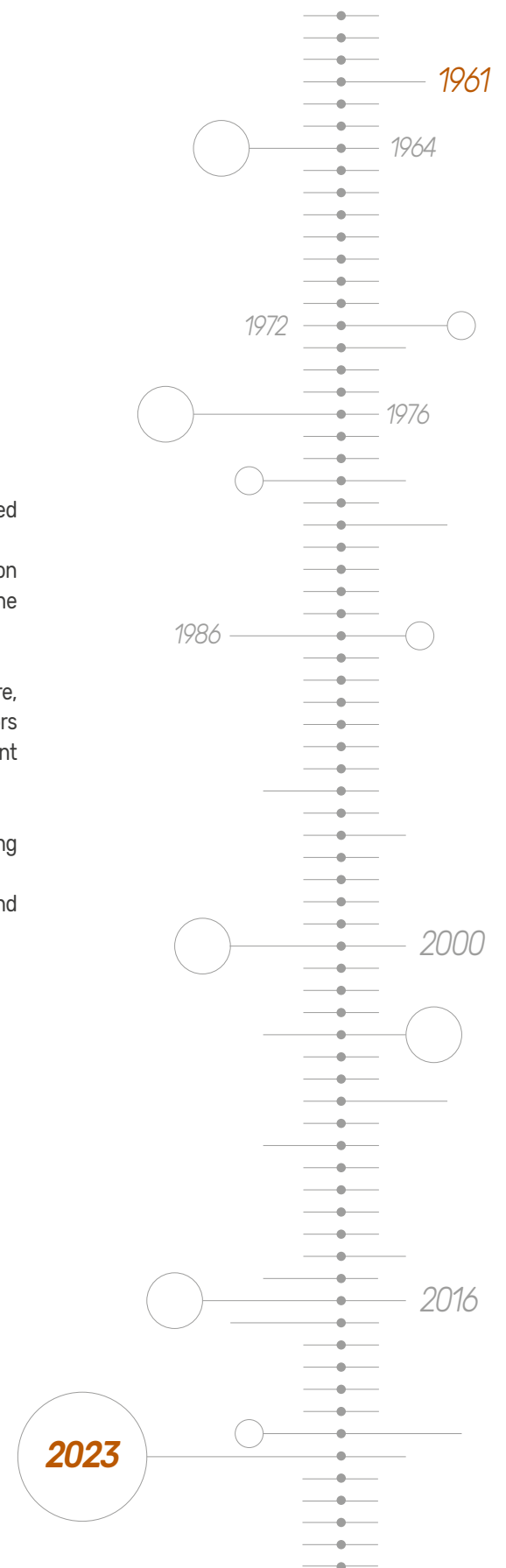
Above all, Stefano was firmly convinced that people are the very heart of a company's success. Therefore, he invested in human capital by valuing people and roles, and he surrounded himself with skilled operators as well as technical, commercial and administrative collaborators. The result was a winning, competent and proactive team.

His daughter Anna - also a mechanical engineer - has been working in the company since 2016, giving new impetus and energy to the business her father and grandfather had built. Father and daughter work together side by side every day to guarantee the excellence of Maus Italia and support all customers worldwide with competence and passion: the company's distinctive traits.



Stefano Agostino
CEO - Mechanical Engineer

Anna Agostino
COO - Mechanical and Management Engineer



A close team

Leading the industry worldwide

Maus Italia relies on a team of 63 staff who devote themselves daily to the design and production of Maus' products with care and competence. Rigorous procedures, commitment to R&D and passion for working with an innovative, sustainable and flexible approach ensure the highest quality in products and services.

Experience, quality and continuous innovation make Maus Italia the number one company in its sector Europe-wide and place it at the top of the world rankings.

Such achievement is also the result of the commitment and synergy of the entire company staff: teamwork is one of the keys to Maus Italia's success.







Headquarters on **35000** sq m

In 1972 Maus Italia inaugurated its new headquarters in Bagnolo Cremasco, followed by four expansions: the first one for a workshop in 1982; the second one in 1994 to further expand the production department and the warehouse; the third in 2003 with the creation of a new plant to assembly automatic machines and of a new technical office; the fourth expansion was carried out in 2015 with the construction of a new plant which brought Maus Italia to its current corporate structure, developed on a total area of 35,000 sq m.

86

Countries we export to

5088

Customers worldwide

35000

Sq m of industrial area

63

Employees





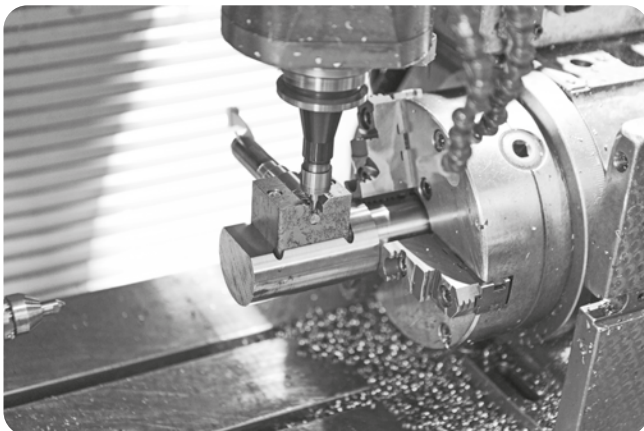
In-house production of each component

Workshop 4.0 and 24/7 production control

The production of Maus Italia branded items is entirely carried out in Bagnolo Cremasco, in the heart of an Italian industrial area 30 km southeast of Milan.

The company boasts a 4.0 workshop equipped with state-of-the-art machinery, an in-house heat treatment room and a final inspection department that allow Maus Italia to independently manage every phase of the manufacturing process of its wide range of products whilst maintaining high quality standards.

A functional work environment, production control and CNC machine tools allow Maus Italia to be a worldwide reference point in the industry.







HRC 22-23

HRC 30-34

PIATTI

HRC 25

HRC 33

HRC 41

GVB Ø 7

GVB Ø 15.4

HRC 35

HRC 45 H2C

HRC 47

GVB Ø 22.5

HRC 50

HRC 52

HRC 55

62

61

HRC 60

GVB Ø 30

HRC 62

HRC 64

66

HRC 70

GVB Ø 38

HRC 72

HRC 74

71

71

71

71

71

HRC 76

HRC 78

HRC 80

INTER

62

62

62

62

62

62

62

62

62

62

62

62

62

62

62

62

62

62

62

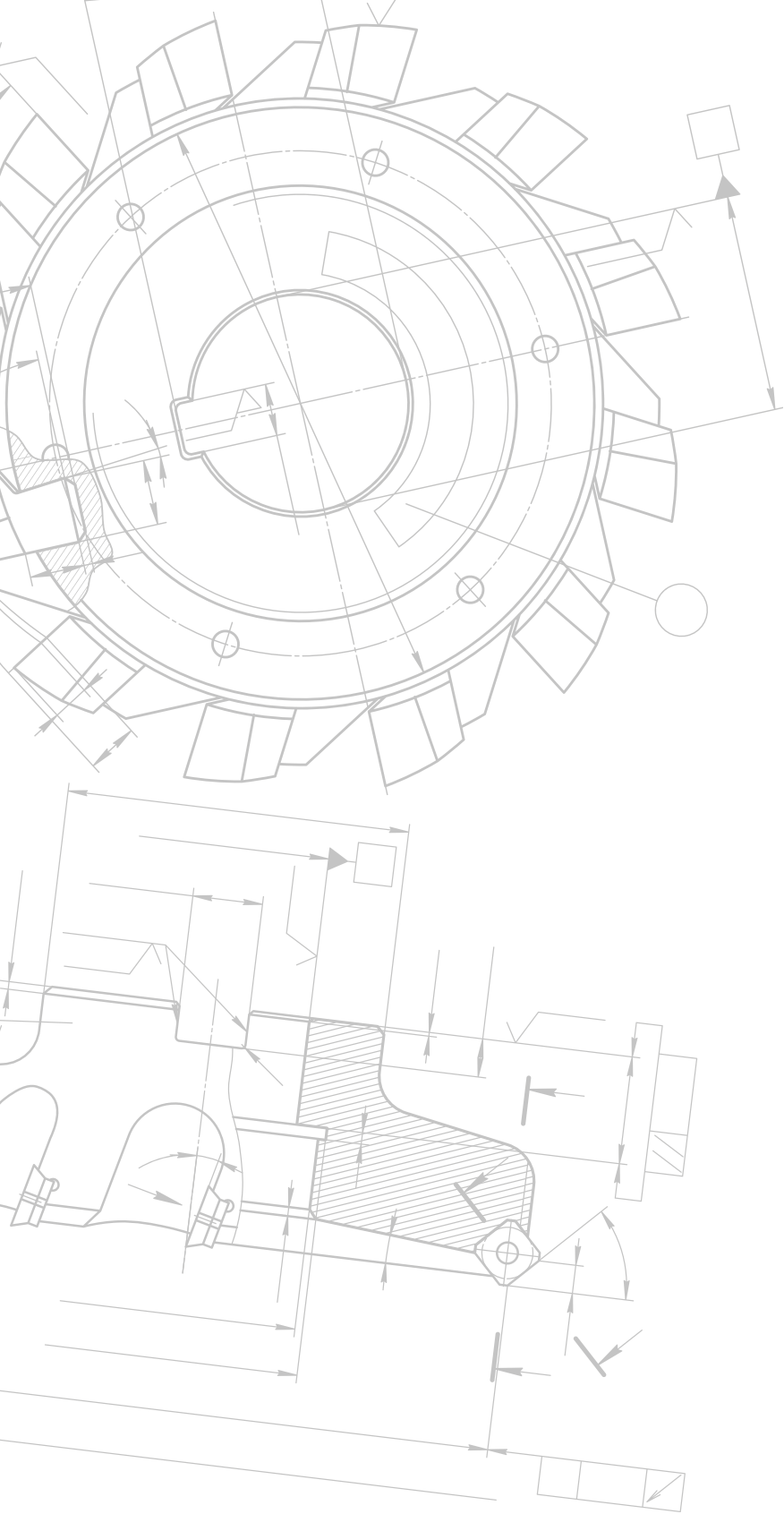
Ready To Deliver

Optimisation and efficiency

A well-stocked and complete warehouse of finished products enables Maus Italia ship quickly to customers all over the world according to a ready-to-deliver logic.

The warehouse is fully located within our premises in Bagnolo Cremasco at controlled temperatures and conditions to guarantee the maximum safety and quality of Maus Italia products for all our customers.





Quality first Design and development

One of Maus Italia's strengths is its willingness to understand its customers' needs.

Our technical department is always ready to find operational solutions to the most complex applications, even via feasibility studies. We develop accurate work processes, draw with FEM analyses to verify our mechanical-structural performance and optimise the manufacturing process of each component.

Experience, numerous certification processes, and the filing of some thirty patents testify to the skills and expertise acquired and further developed by Maus Italia: this has brought the company to the forefront of both prototype and machine design and development. From the simplest tools to automatic tube rolling systems, every component is designed, manufactured, assembled, and tested to guarantee the safety of a high quality product. We can therefore meet all customer requirements, even under the most complex circumstances.

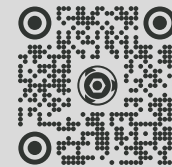
Maus Italia's philosophy is: 'If there is a problem, there is a solution'. Our team will be at your side to find it.



in over **80** country worldwide **Every day**

Our extensive sales network guarantees full availability and satisfies even the most demanding customers. In its over 60 years up and running, Maus Italia has built an efficient business organisation and a dense international sales network, with agents and distributors in more than 80 countries all over the world.

Find an official distributor
in your country





After-sales support

We are at our customers' side, every day

Maus Italia offers excellent customer service.

Our qualified and experienced technicians are always ready to help our customers with their different needs.

We offer dedicated services such as:

- **Engineering design**
- **Prototyping**
- **Customer technical support**
- **Machine commissioning**
- **After-sales training**
- **Spare parts**
- **Repairs**
- **Maintenance**

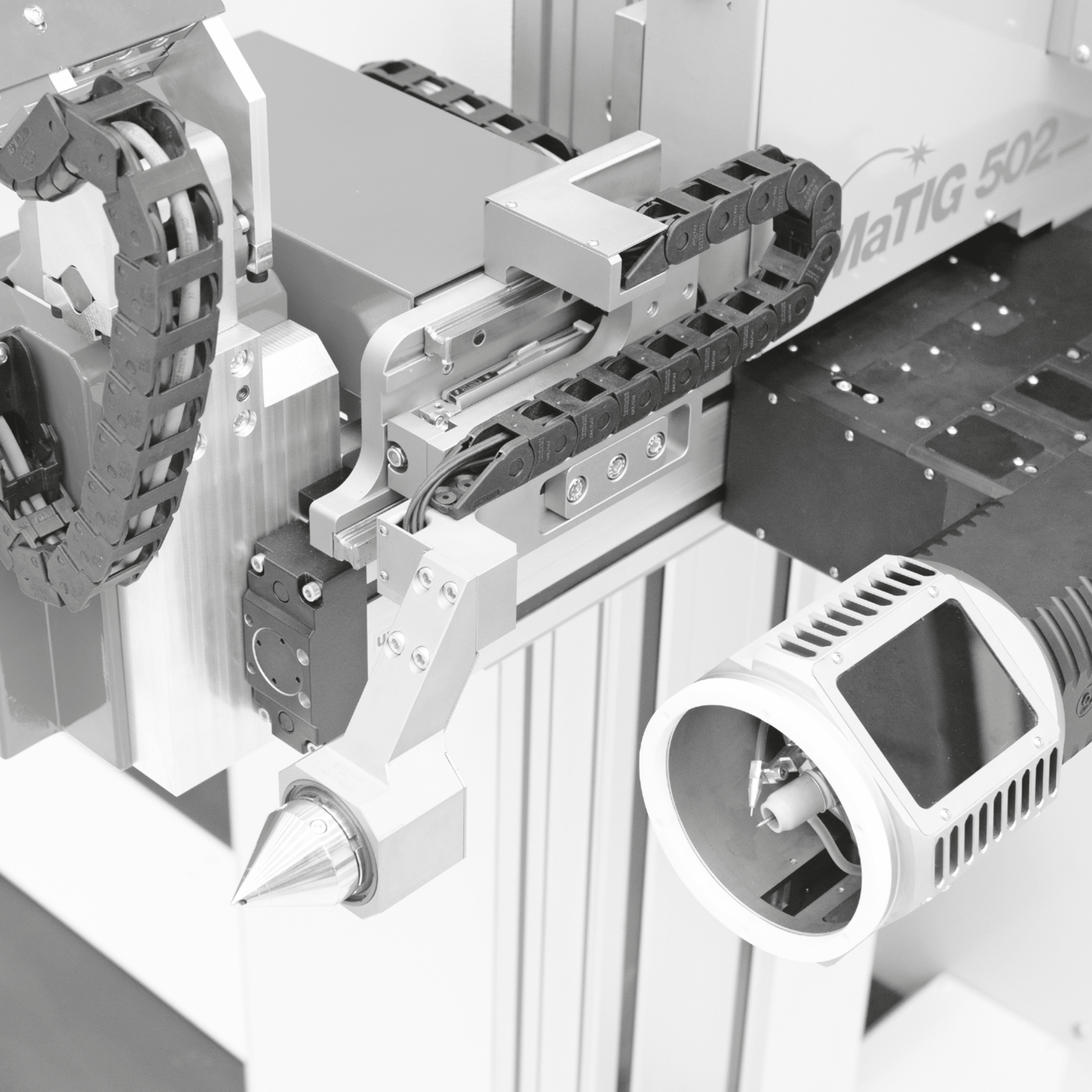
Maus Italia's after-sales service answers all technical questions and can intervene in a comprehensive and timely manner regarding all our products.

Our team of specialised technicians operates safely to ensure full operability throughout the life cycle of the products sold, even several years after purchase.

Our ambitious and efficient method allows us to:

- **Optimise production time**
- **Extend product life cycles**
- **Keep high equipment performance**
- **Improve cost efficiency**
- **Increase safety standards**





MaTIG 502

Integrated quality, environment and safety policy

Research, quality and safety are the watchwords of Maus Italia Spa.

Since 1995, Maus Italia Spa has been authorised to display the CE mark in line with UNI EN ISO 9001. Since then, the company has taken quality and safety standards to heart and was awarded the OHSAS 18001 Management System Certification in 2010.

The ISO 9001 Quality Management System is the internationally recognised reference standard for the quality management of a company aiming to simultaneously meet the need to increase effectiveness and efficiency in its internal processes and to increase competitiveness on the market. This is achieved through the improvement of customer satisfaction and loyalty.

To date, Maus Italia Spa has been certified with the following:

- ISO 9001 (Quality System Certification)
- ISO 14001 (Management System Certification)
- ISO 45001 (Safety System Certification)

Maus Italia has several projects underway aimed at increasingly sustainable development and integrates environmental concerns into its business model. The company's actions, behaviour and development choices are focused not only on the short run but rather mainly on a medium and long-term horizon.

Maus Italia is devoted to ESG aspects (Environmental, Social and Governance). The company is therefore active today whilst paving the way for the future to keep abreast of changes and meet the demands of external scenarios which are increasingly sustainability-centered.



A SINGLE REFERENCE PARTNER

Tools and machines for the **production** and **maintenance** of tube bundle heat exchangers

Maus Italia is positioned worldwide as a supplier of any products required for the production or maintenance of tube bundle heat exchangers, boilers or condensers.

Furthermore, the company's added value is the speed and completeness of the services it offers, joined by tailored products and machines according to customer requirements.

TUBESHEET HOLE GROOVING

TUBE BUNDLES INSERTION

HOLE FLARING

EXTRACTION AND TRANSPORT OF TUBE BUNDLES

TUBE LOCKING

TUBE AND TUBE BUNDLE CUTTING

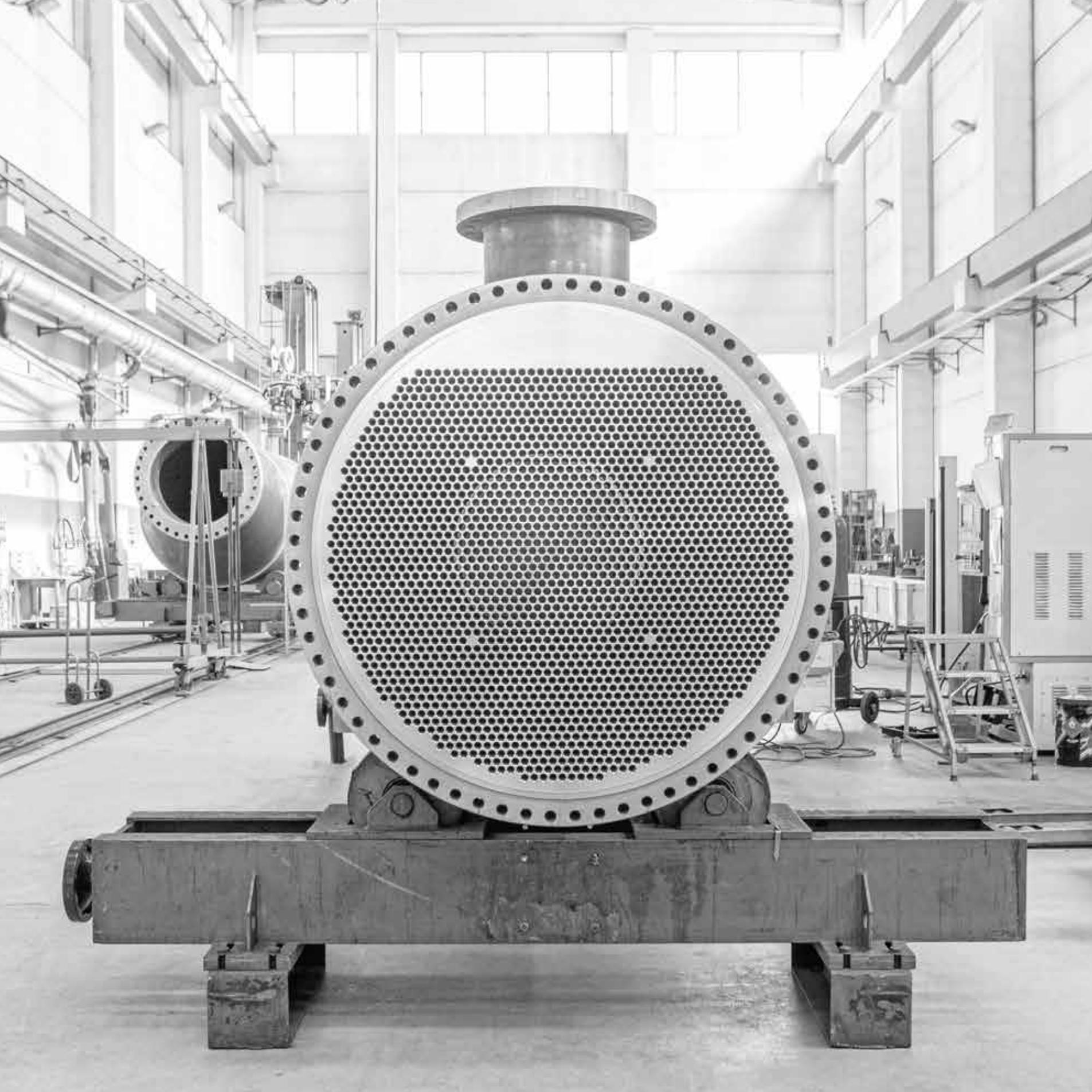
TUBE-TUBESHEET TIG ORBITAL WELDING

TUBE AND STUB EXTRACTION

TUBE ROLLING

TUBE BUNDLE CLEANING

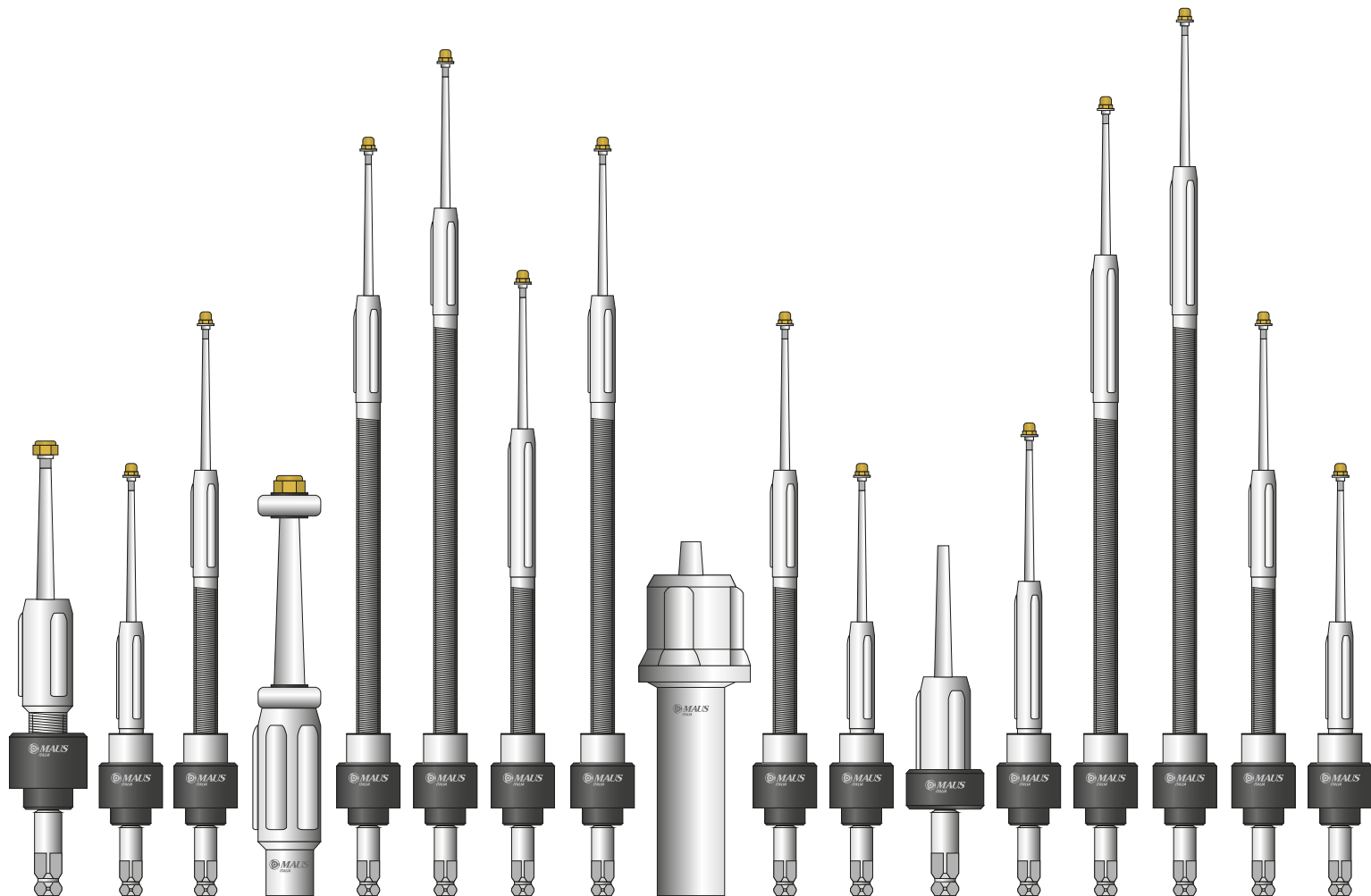
TUBE END FACING



Tube expanders

MAUS ITALIA SPECIALISES IN THE PRODUCTION AND MARKETING OF TUBE EXPANDERS

Tube expanders are tools manufactured from special alloyed steel subjected to in-house heat treatment. They are wear and tear resistant and composed of four main parts: cage, mandrel, rollers and bearing collar.







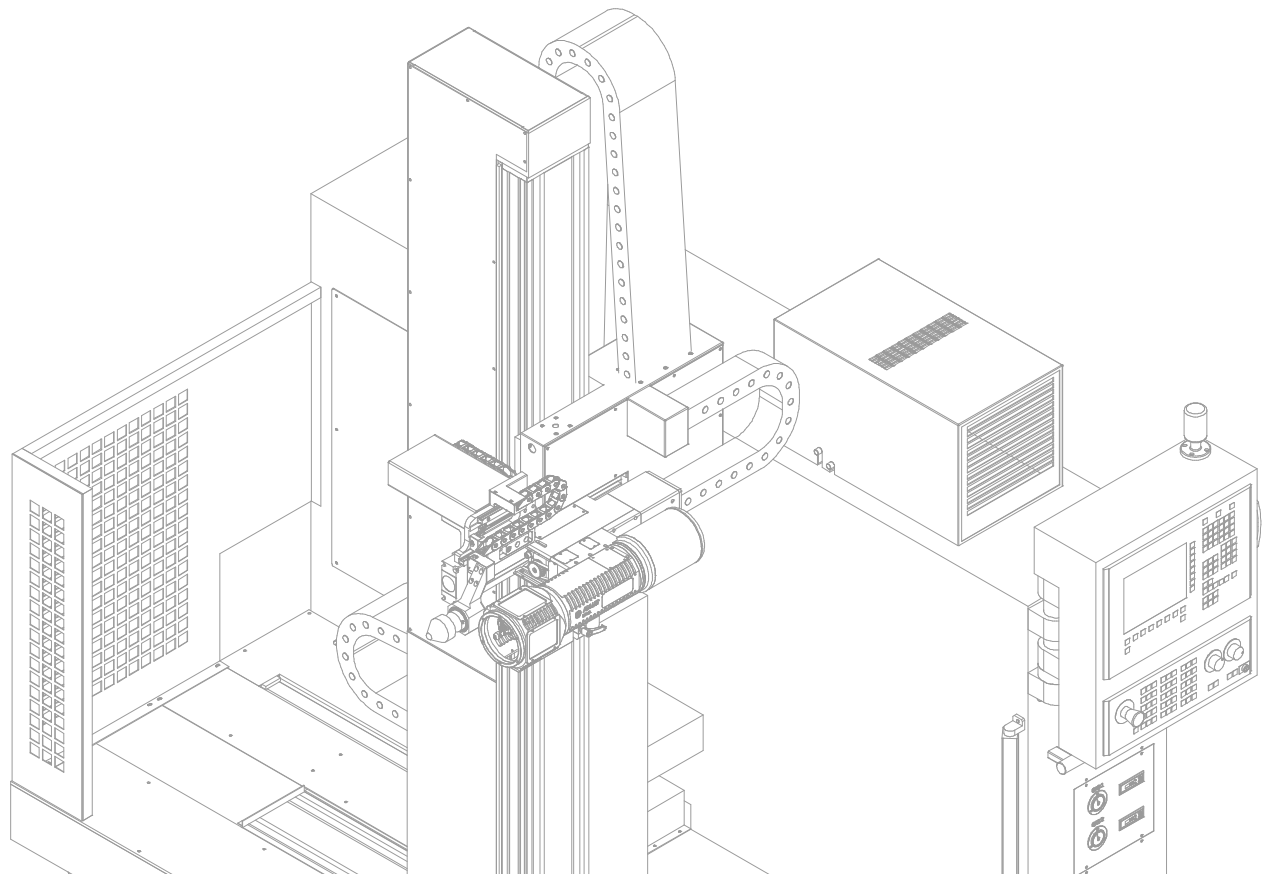
Tube-tubesheet TIG orbital welding

INNOVATION STARTS HERE

The machines that Maus Italia design and manufacture are the result of decades of experience with hundreds of customers across all five continents. TIG orbital welding is the preferred, high-quality process for tube-tubesheet joints for which cutting-edge know-how and high-precision technology are essential.

TIG orbital welding systems

Automatic CNC machining centres for TIG orbital welding





Automation

Automatic CNC machining centres

Maus Italia designs and manufactures CNC working centres and special machines which are unique worldwide. They can automate all repetitive, redundant as well as time and energy consuming production processes, whilst optimising costs, significantly increasing productivity and quality standards, and complying with ever stricter safety regulations.

The idea and the patent were achieved in the 1970s when Mr. Franco Agostino entertained the idea of fully automating tube rolling operations. Subsequently, his son Stefano Agostino, a brilliant and far-sighted engineer, patented the centering and automated self-learning system for CNC machining centres, thus extending the range of automation to the following operations on tube plates.

AUTOMATIC TUBE ROLLING

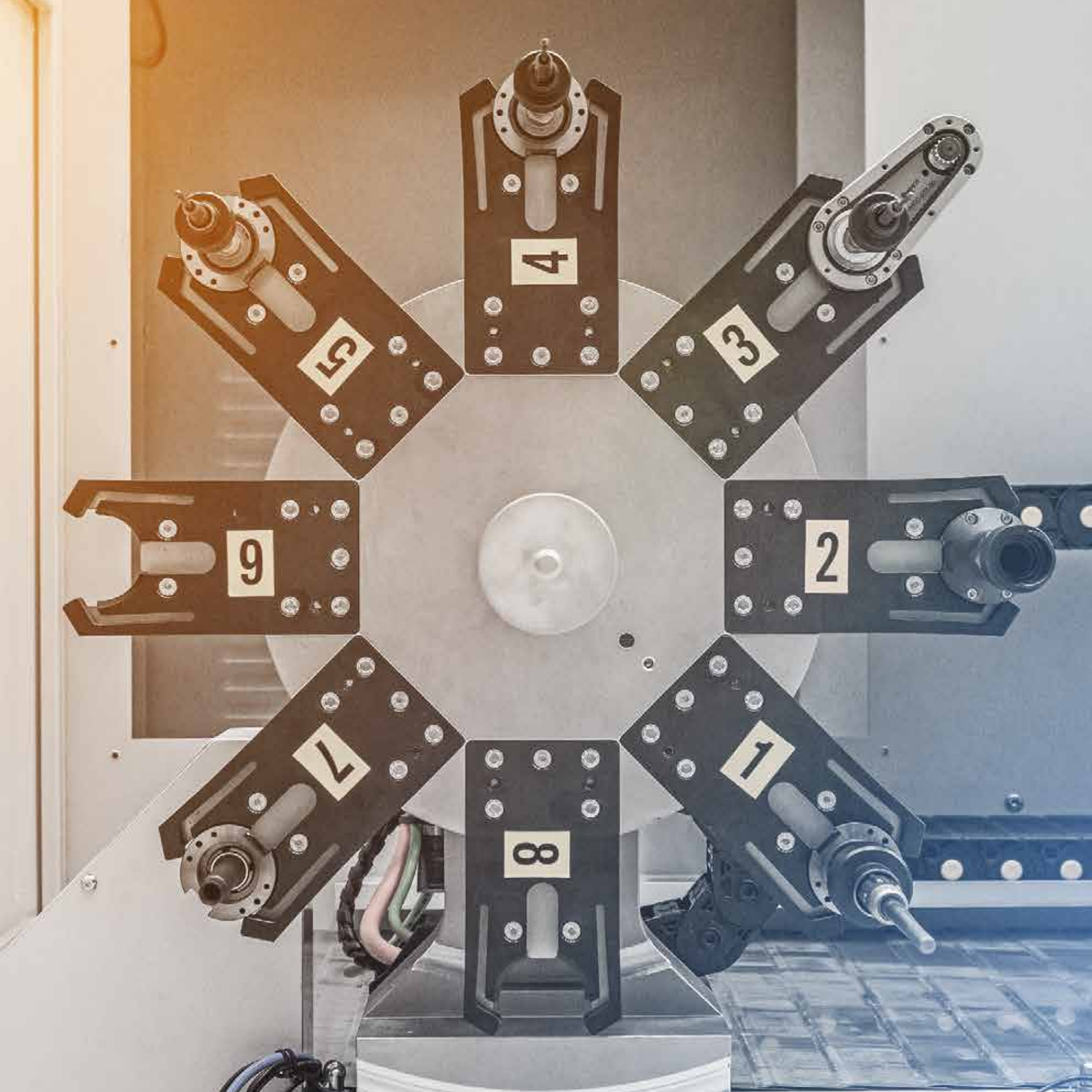
AUTOMATIC TIG ORBITAL WELDING

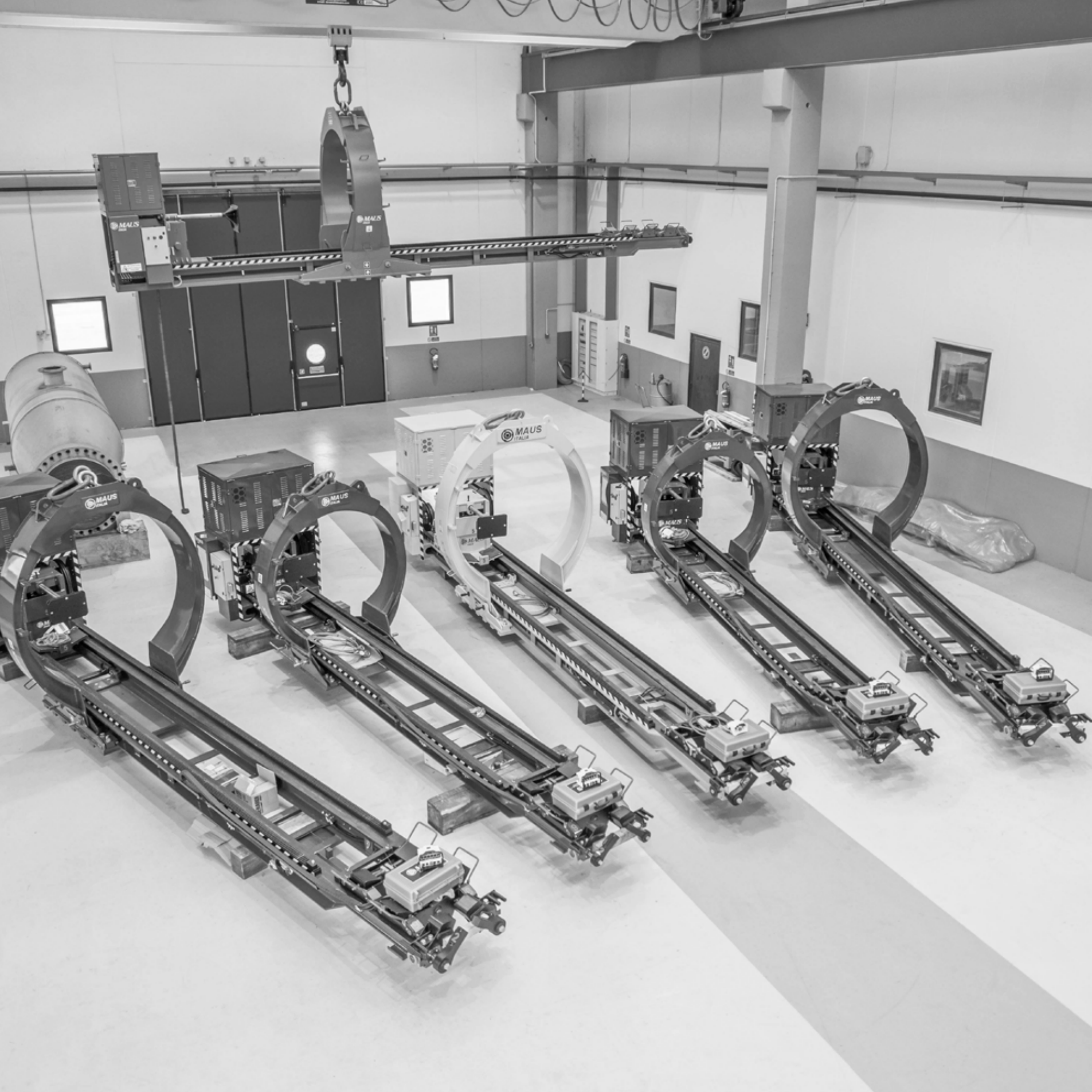
AUTOMATIC TUBE END FACING

AUTOMATIC TUBESHETT HOLE GROOVING

AUTOMATIC HOLE FLARING







HANDLING

Tube bundle handling

MAUS ITALIA DESIGNS AND MANUFACTURES MACHINES FOR THE EXTRACTION, TRANSPORT AND INSERTION OF HEAT EXCHANGER TUBE BUNDLES

The machines designed and manufactured by Maus Italia are the result of decades of experience with hundreds of customers across all five continents.

TUBE BUNDLES INSERTION AND EXTRACTION

During the final phase of heat exchangers manufacturing, inserting tube bundles into the shell can compromise the integrity of the finished product.

Maus Italia offers original and exclusive solutions designed to cover the entire range of requirements.

These products are designed to meet the growing needs for quality, safety and speed linked to such operation.

After carrying out all necessary operations in the testing phase and ruling out any on-site partial repairs, or simply when establishing the need to wash a tube bundle, the tube bundle itself must be removed from its shell.

For this purpose, Maus Italia has developed a complete set of tube bundle pullers: specifically, aerial ones are more manageable and cheaper but need a mobile crane for lifting, plus a truck or any appropriate means of transport for handling.

AERIAL TUBE BUNDLE TRANSPORT

Maus Italia offers solutions for the aerial handling of tube bundles, either within the plant or during exchanger manufacturing operations. Tube bundles may therefore be easily and safely lifted, thus eliminating the risk of damaging both baffle or the tubes.

The Maus Italia team can study customised solutions for extreme cases as well as ATEX / NAVY versions for the offshore market.

WHEELED TUBE BUNDLE TRANSPORT

Maus Italia offers solutions for handling tube bundles even without cranes and/or lorries within the plant. We accelerate loading and unloading operations of bundle extractors as well as transport from the extraction point to the washing yard or maintenance workshop.



Maus Italia nello sport

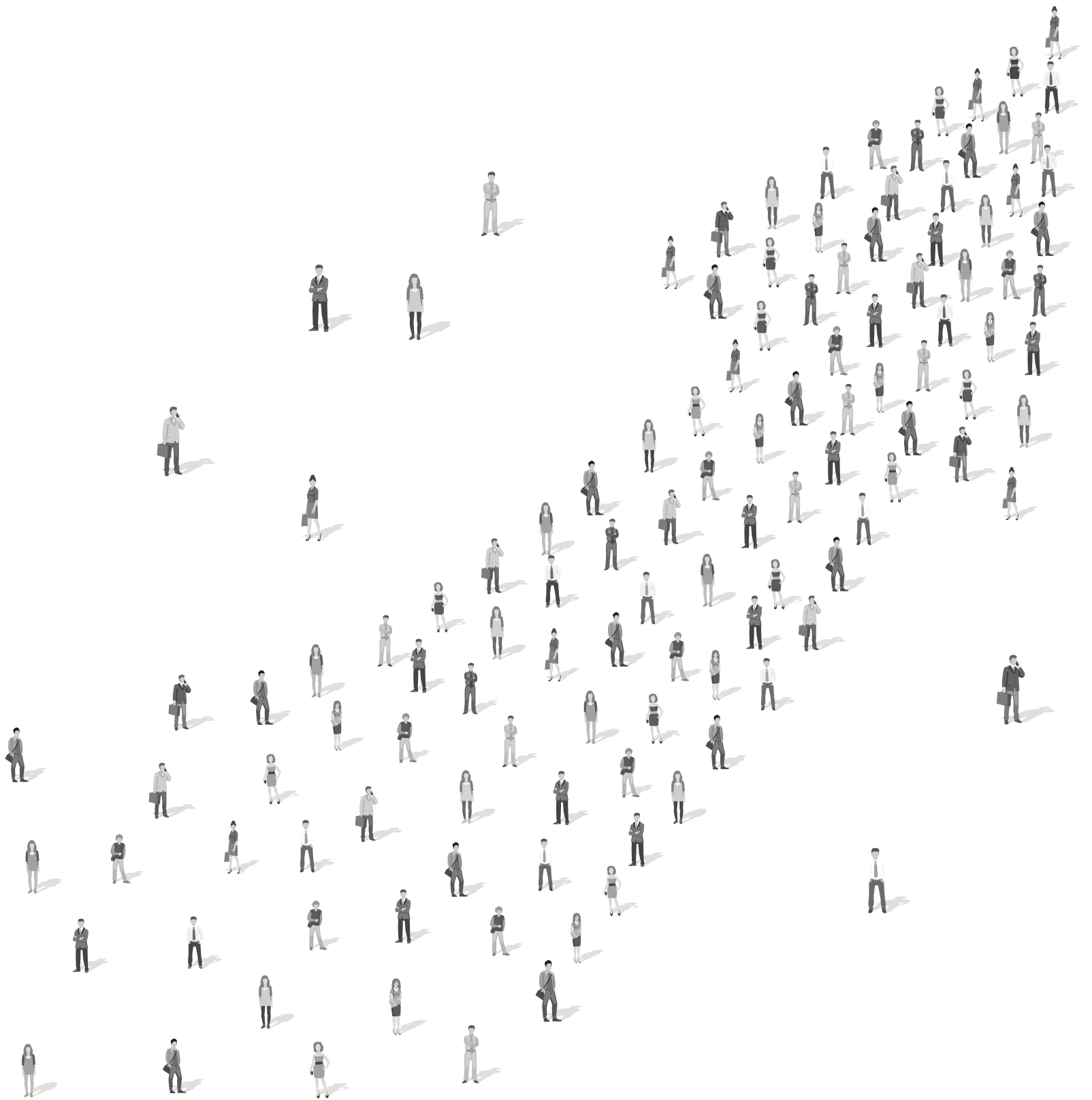
Since 2000, Maus Italia S.p.a. has invested in young people and sport every year by supporting the 'Crema Tennis Club' in activities such as the International Under-16 Tournament of the Municipality of Crema.

The company strongly believes in the educational values of sport.

The skills acquired in sports can be transferred to other cultural contexts from a very early age. In addition to spreading the values of solidarity, loyalty and respect for persons and rules, i.e. the founding principles of a healthy society, sport is an extraordinary tool to develop skills which can be applied elsewhere in life.

Organising a competition, defining roles, timing, and game strategies are true intellectual competences which can be merged in any field of work. These are capabilities which everyone should be able to put into practice when making decisions or drafting an action programme.





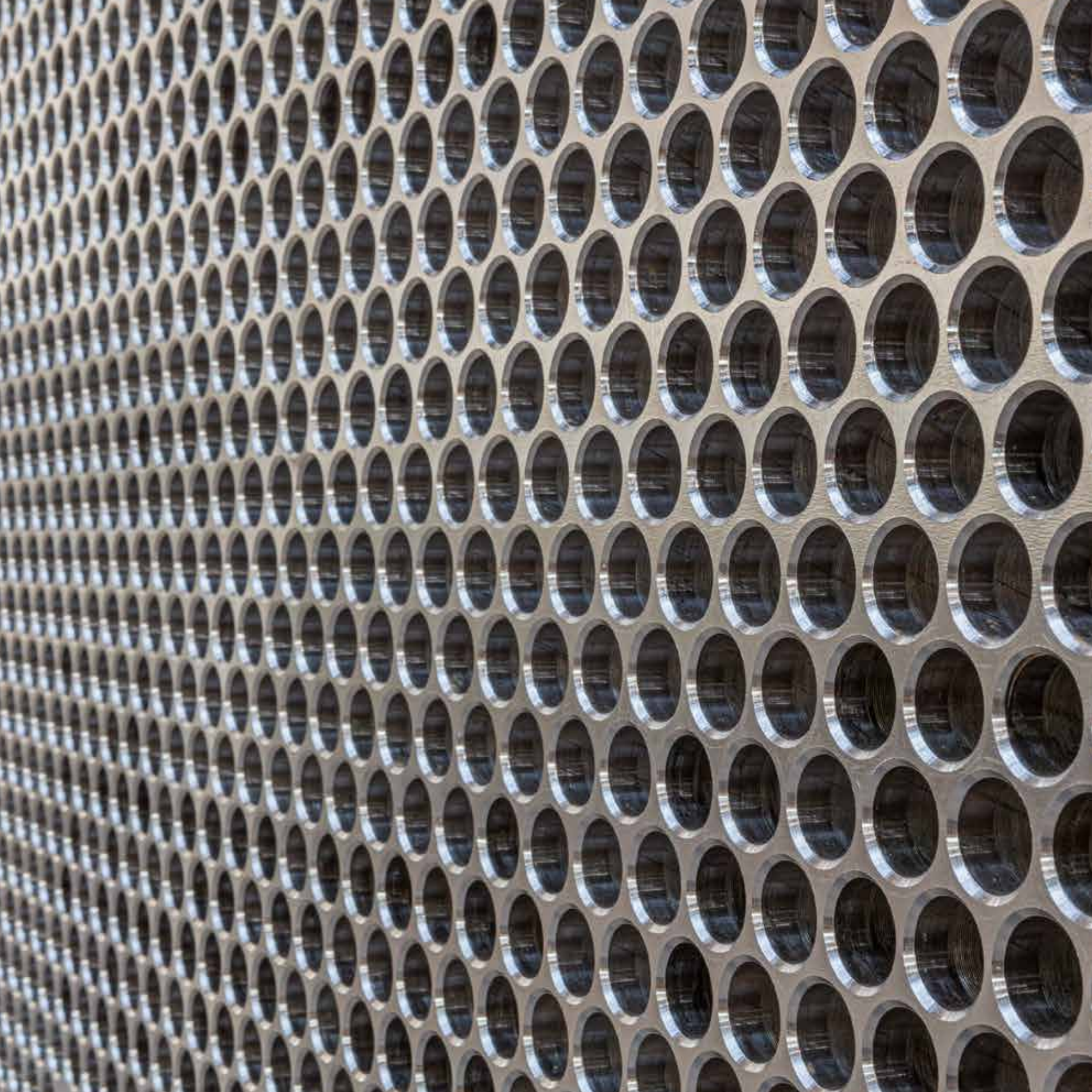


Maus Italia S.p.A.

SP 415 KM 30 (nuova strada di arrocco)
26010 Bagnolo Cremasco (CR) Italy
PIVA: 00141010199

Telefono: +39 0373 2370

info@mausitalia.it
www.mausitalia.it





mausitalia.it

