

NEW



Mef mobil

*Self-propelled tube bundle puller,
remote controlled for extraction and
movement of tube bundles (on-shore)*



MADE IN ITALY



Bundle elevation from 600 up to 4000 mm (from 24" up to 158").

Tube sheet anchoring plate adjustable Up/Down.

Laterally frame translation ± 100 mm (± 4 ") - Hydraulic device to centre the **Mef mobil 1650/68** with the heat exchanger without repositioning.

Frame longitudinal movement to increase the **Mef mobil 1650/68** flexibility permitting to reach easily the heat exchanger position.

The base is supporting and rising the "lifted base" by means of four telescopic columns

Engine group
Hydraulic unit
Electrical box



Wireless remote control on request

Hydraulic outriggers
Four hydraulic outriggers to stabilize the **Mef mobil 1650/68** during extraction & insertion phases

Min. width
2500 mm (8.2 Ft)
Proper solution for difficult access area under the shelter

Ex ATEX execution on request

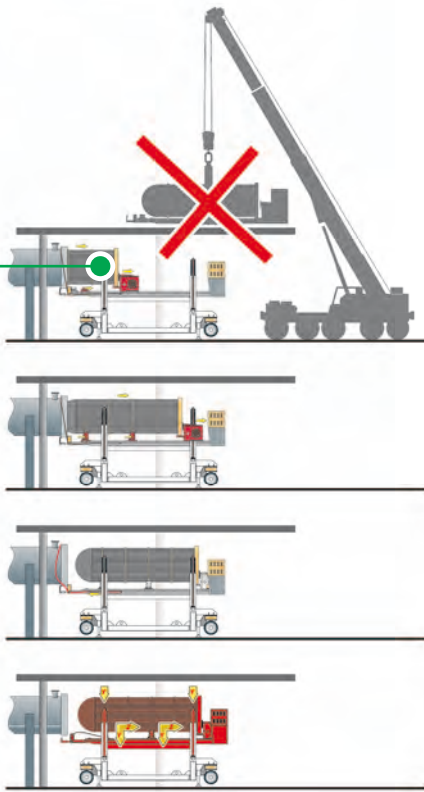
Maus can supply also customized bundle pullers to meet special requirements from the customer

Operator position to drive the **Mef mobil 1650/68**

On request, **SPECIAL VERSION** for low temperatures



Proper solution for difficult access area under the shelter



Mef mobil 1650/68

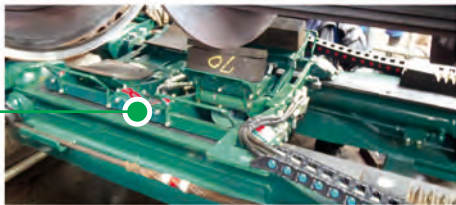
Self-propelled tube bundle puller, remote controlled for extraction and movement of tube bundles (on-shore)



Mef mobil 1650/68 has been designed for cases of difficult access. It is completely self-sufficient, as is presented as a global solution in petrochemical plants for the extraction and transportation of tube bundles.

Mef mobil 1650/68 operates autonomously without a crane for positioning and movement or trucks for transport of the tube bundle to maintenance area after extraction.

Hydraulically controlled bundle supports



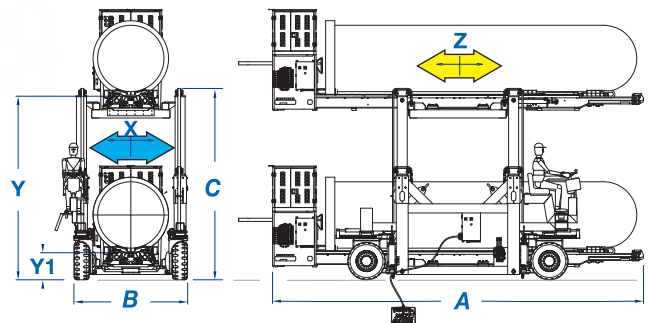
Bundles dimensions and max weight

Tube sheet O.D.	mm	inches	1650÷1800	65÷70
Length	mm	inches	6500	256
Max lifting capacity ↑	T	Lb	20	44000

Performance/working capacities

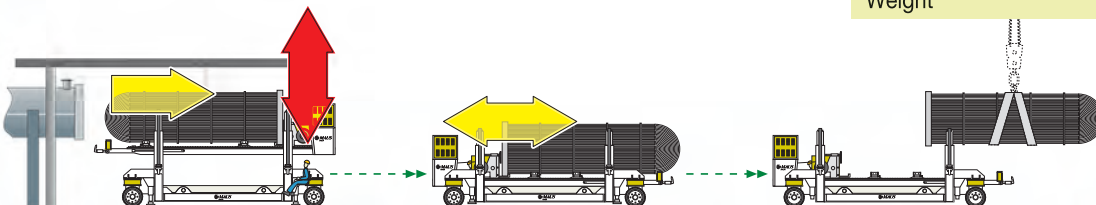
Bundle elev. (min)	Y1	mm	inches	600	24
Bundle elev. (Max)	Y	mm	inches	4000÷5850	158÷230
Pulling max speed		m/min	Ft/min	2,0	6.6
Pulling/pushing force	T	Lb		30	66100

Dimensional limitation in red color



Overall dimensions and weight

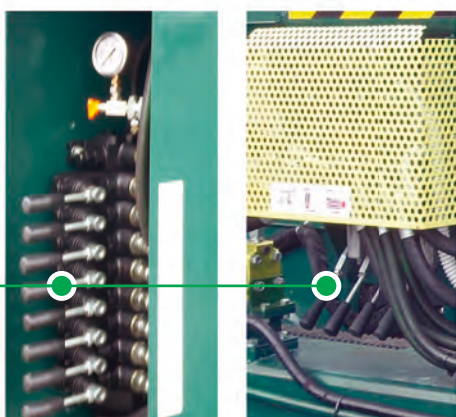
Length	A	mm	Ft	8105	26.6
Width	B	mm	Ft	2500	8.2
Height	C	mm	Ft	4182	13.72
Laterally frame translation	X	mm	inches	±100	±3.94
Longitudinal frame movement	Z	mm	inches	±750	±29.53
Weight	T	Lb		12	26500



CLEANING AREA



Manual commands for base adjustment are controlled by levers on the extractor



www.mausitalia.it

 grovedy.com design studio



MAUS ITALIA F. AGOSTINO & C. s.a.s.
SS PAULLESE KM 30
26010 BAGNOLO CREMASCO (CR) - ITALY

Tel. +39 0373 2370
FAX +39 0373 237039
e-mail: expo@mausitalia.it
www.mausitalia.it